




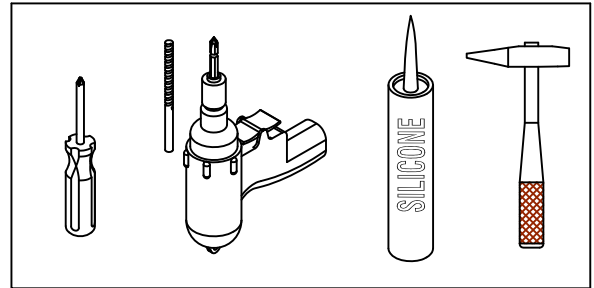


Item No. :GR30

## Hardware

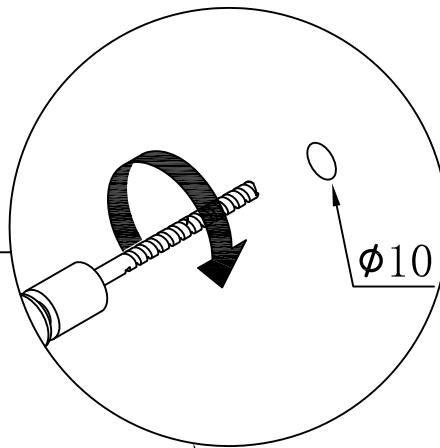
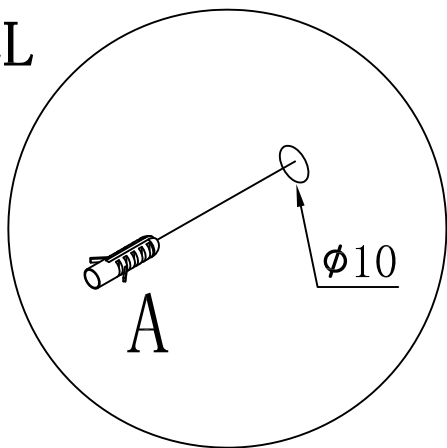
NO.	Draw	QTY
A		4
B		4
C		4
D		4
E	 3.5*14mm	16

## Tools



WALL

WALL



Center Line

(29.45")  
748

(24.17")  
614

(32.68")  
830

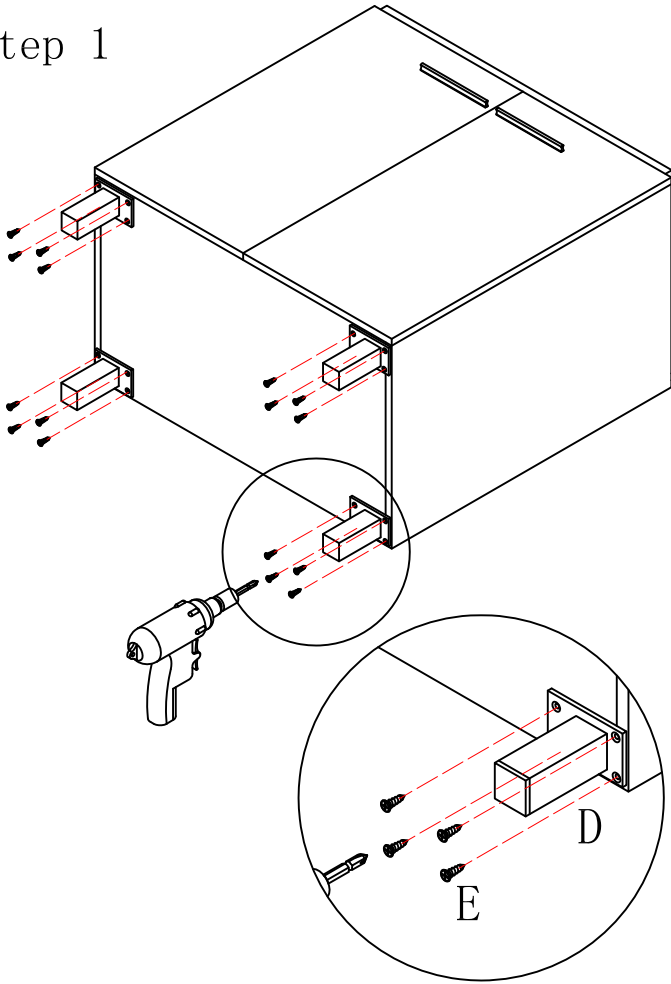
(31.5")  
800

307

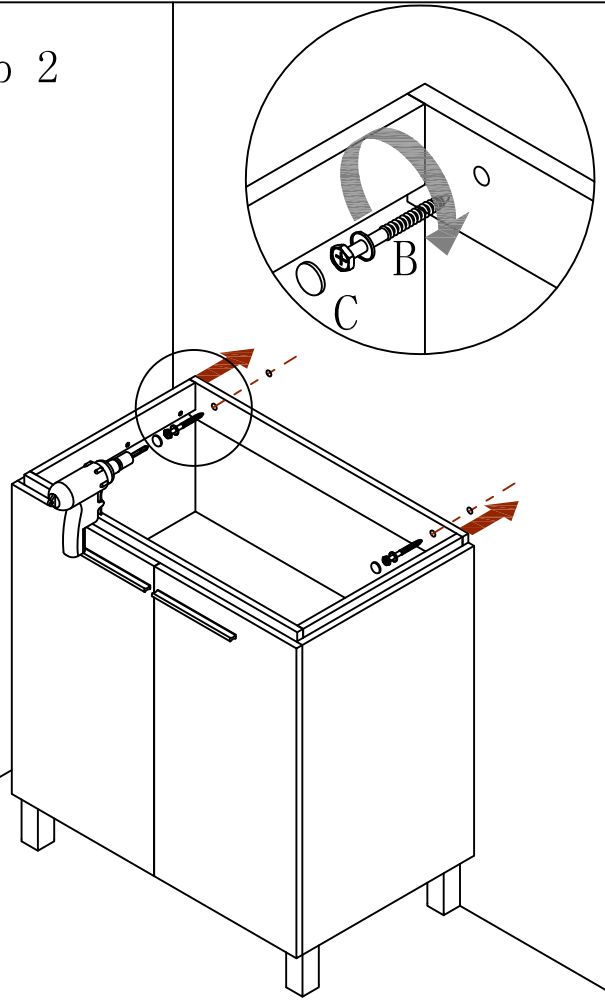
307

FLOOR

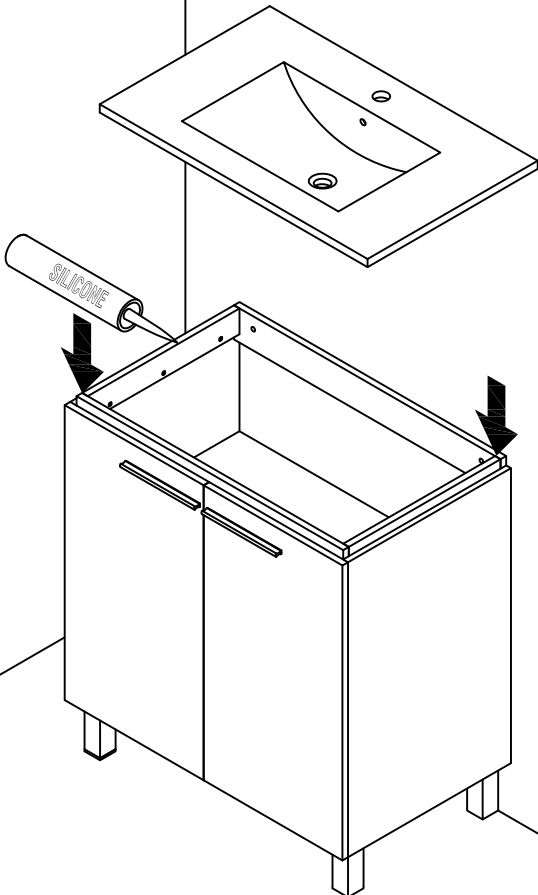
Step 1



Step 2



Step 3



Finished

